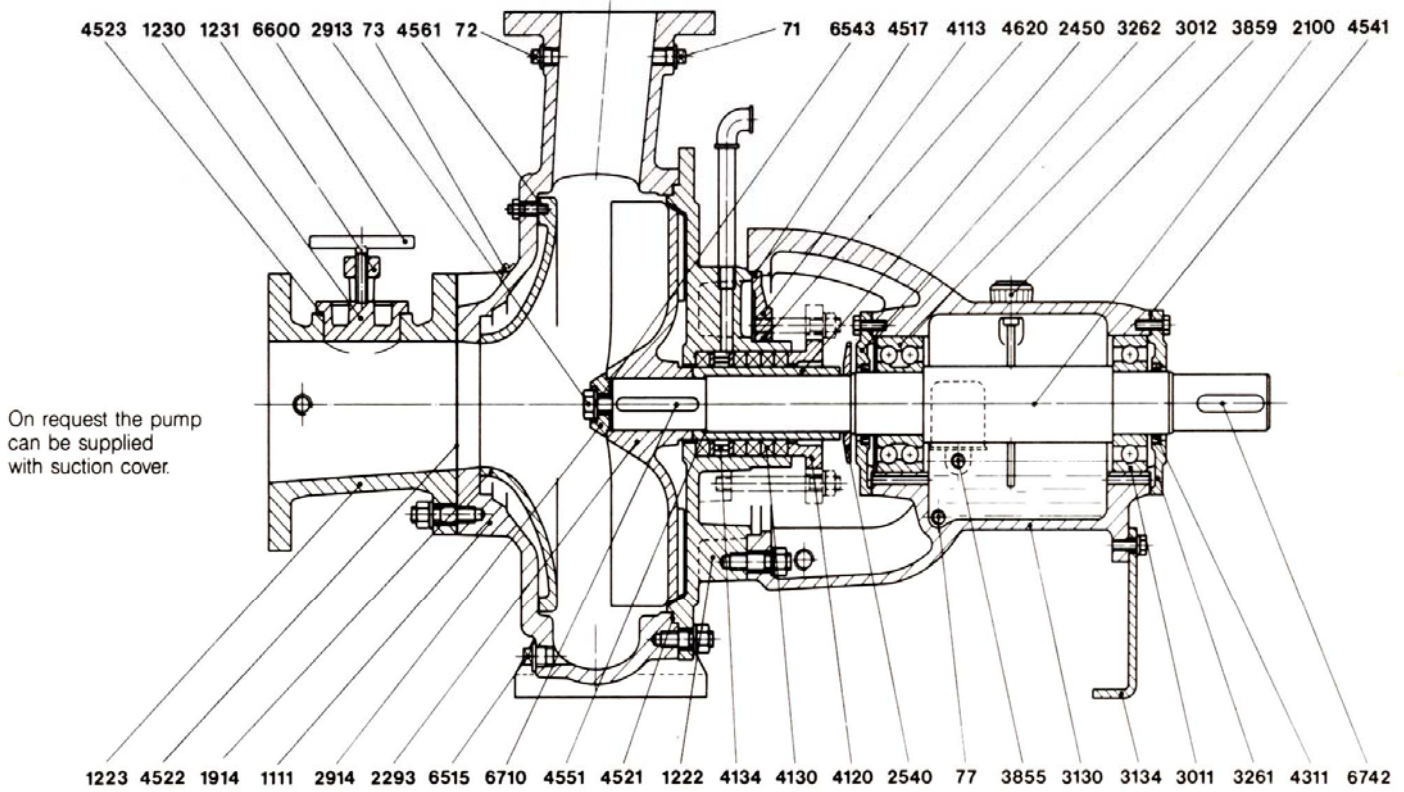


- 102 Volute casing
- 180 Pump cover
- 210 Shaft
- 230 Impeller
- 320 Bearing
- 350 Bearing bracket
- 360 Bearing housing
- 430 Mechanical seal
- 452 Seal cover
- 730 Coupling

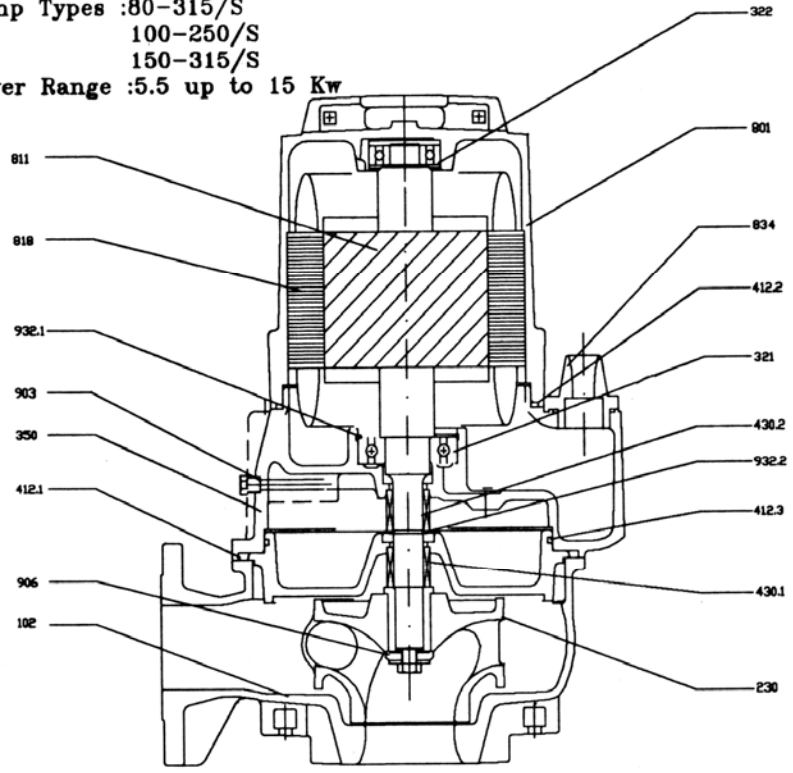


Part. no.	PART DESCRIPTION
1111	Pump casing
1222	Casing cover
1223	Suction cover UPON REQUEST
1230	Inspection cover
1231	Clamp for inspection cover
1914	Casing wear plate
2100	Shaft
2293	Impeller
2450	Shaft sleeve
2540	Flinger
2913	Impeller screw
2914	Impeller hub cap
3011	Ball bearing
3012	Ball bearing
3130	Bearing bracket
3134	Support foot
3261	Bearing cover
3262	Bearing cover
3855	Costant level oiler
3859	Oil dispstick
4120	Stuffing box gland

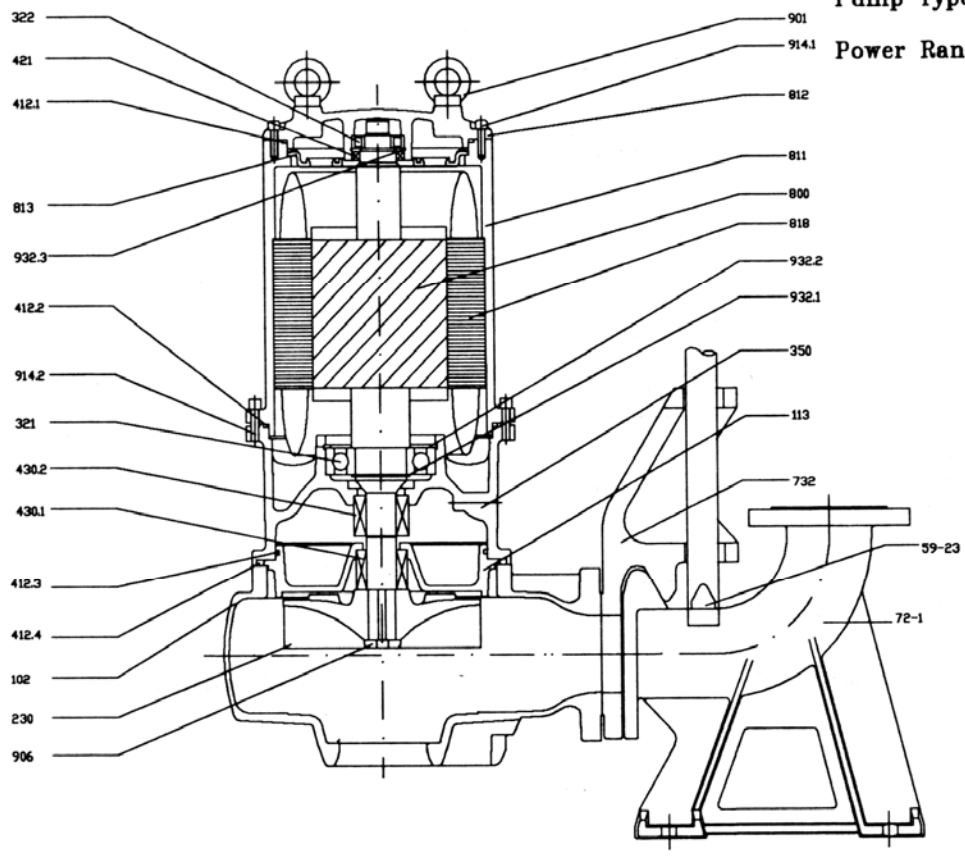
Part. no.	PART DESCRIPTION
4130	Gland packing
4134	Lantern ring
4311	Radial shaft seal
4521	Gasket
4522	Gasket
4523	Gasket
4541	Gasket
4551	Gasket
4561	Gasket
6515	Drain plug
6543	Impeller nut lockwasher
6600	Hand wheel
6710	Key for impeller
6742	Key for coupling
71	Plug
72	Manometer connection plug
73	Plug
77	Oil drain plug
Stuffing box with cooling chamber	
4113	Cooling chamber cover
4517	O-Ring
4620	O-Ring

part no.	designation
72-1	duckfoot bend
101	pump casing
113	pump cover
230	impeller
321	thrust bearing
322	guide bearing
350	bearing housing
360	bearing cover
412	o-ring
421	oil seal
59-23	cone-shaped wear ring
502	wear ring
430	mechanical seal
732	clamp
800	rotor
801	motor casing
812	motor cover
813	winding cover
818	stator
901	eye bolt
906	impeller nut
914	bolt

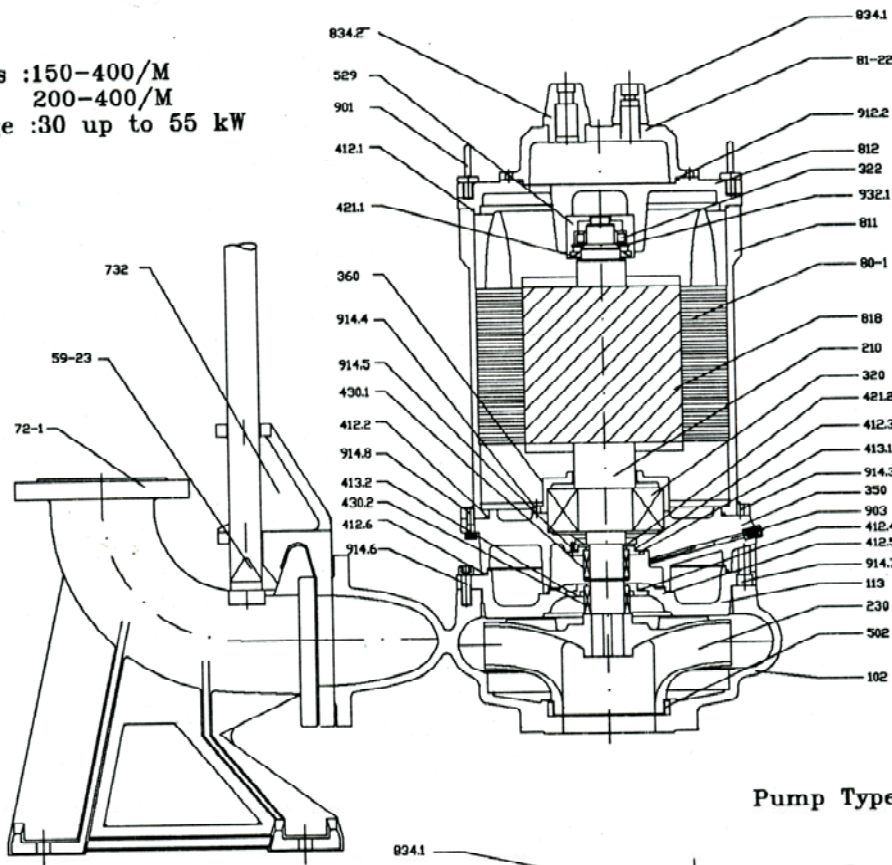
Pump Types :80-315/S
100-250/S
150-315/S
Power Range :5.5 up to 15 Kw



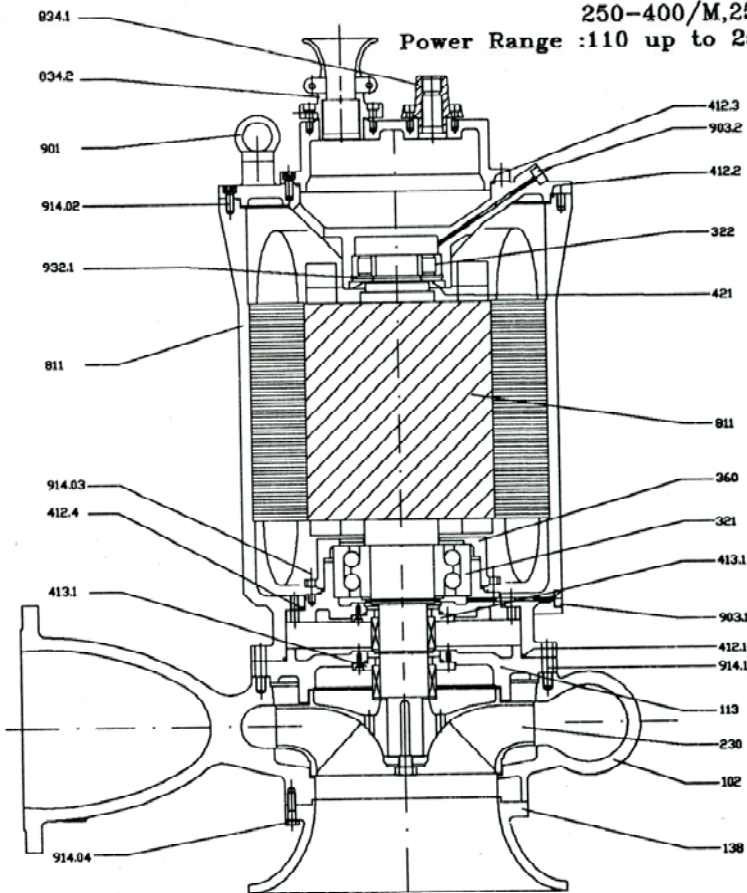
Pump Types :100-315/A
150-315/A
Power Range :18.5 and 22 Kw



Pump Types :150-400/M
 200-400/M
 Power Range :30 up to 55 kW



Pump Types :150-400/M,150-500/M
 200-400/M,200-500/M
 250-400/M,250-500/M
 Power Range :110 up to 250 Kw



part no.	designation
72-1	duckfoot bend
101	pump casing
113	Inlet nozzle
138	pump cover
230	impeller
321	thrust bearing
322	guide bearing
350	bearing housing
360	bearing cover
412	o-ring
421	oil seal
59-23	cone-shaped
502	wear ring
430	mechanical seal
732	clamp
800	rotor
801	motor casing
812	motor cover
813	winding cover
818	stator
901	eye bolt
906	impeller nut
914	bolt