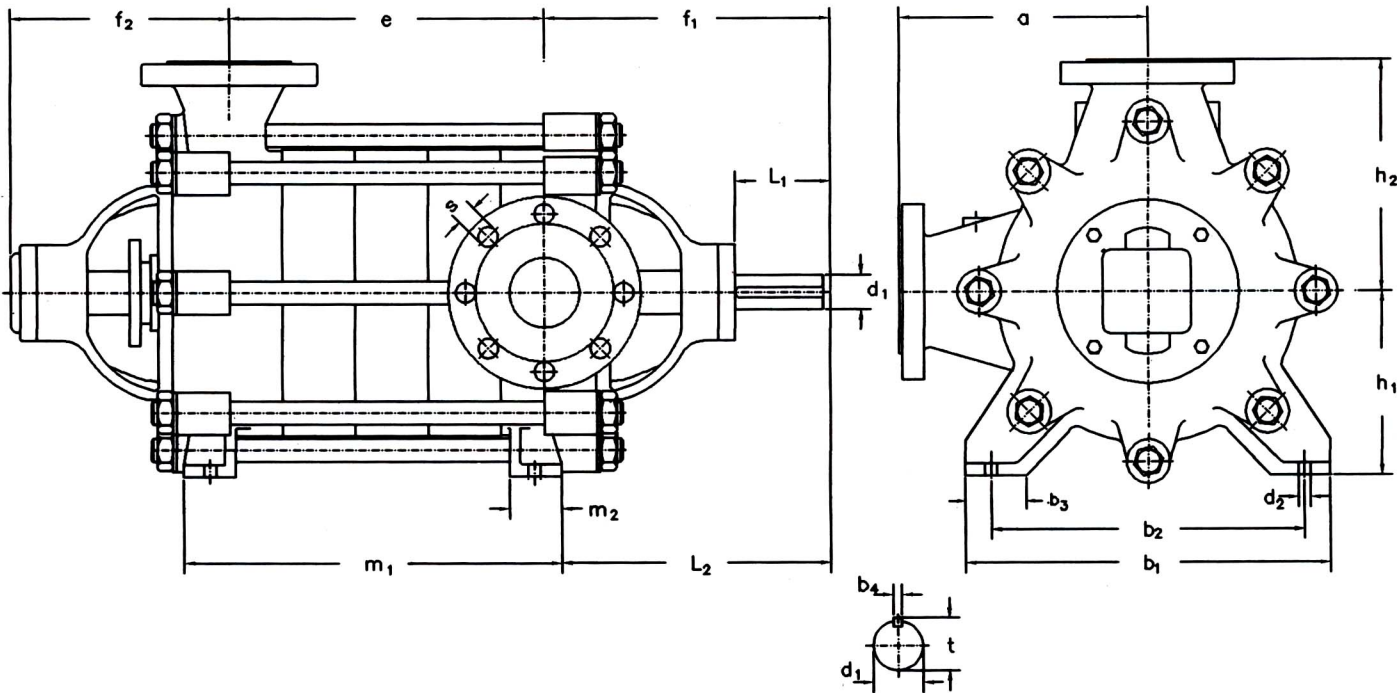


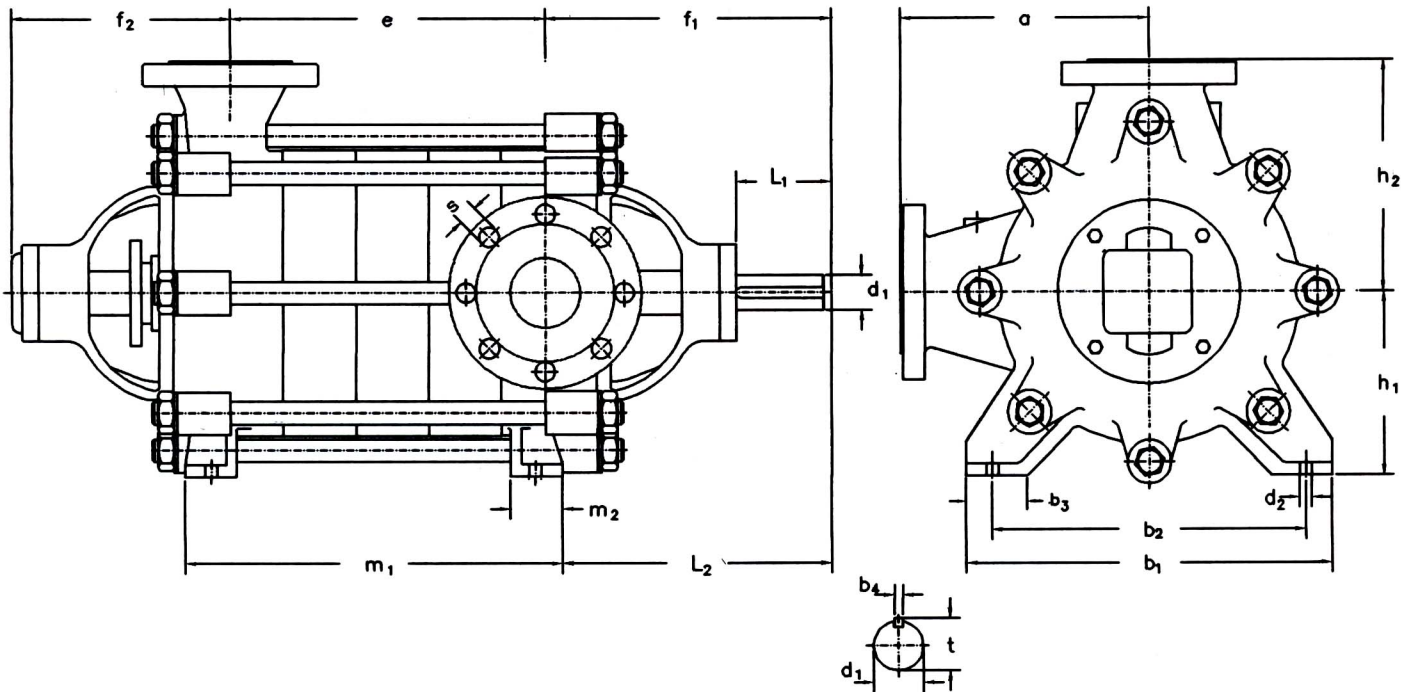
pump size	pump dimensions																					
	DN _s	DN _d	a	b ₁	b ₂	b ₃	d ₂	f ₁	f ₂	h ₁	h ₂	L ₁	L ₂	m ₁	m ₂	s _s	z _s	s _d	z _d	d ₁	b ₄	t
150	200	150	425	650	550	100	23	485	355	350	425	140	385	e+200	100	22	12	22	8	60	18	64

pump size	number of stages										
		1	2	3	4	5	6	7	8	9	10
150	e	215	360	505	650	795					



pump size	pump dimensions																					
	DN _s	DN _d	a	b ₁	b ₂	b ₃	d ₂	f ₁	f ₂	h ₁	h ₂	L ₁	L ₂	m ₁	m ₂	s _s	z _s	s _d	z _d	d ₁	b ₄	t
80	100	80	265	370	310	70	15	320	250	210	265	85	260	e+120	60	18	8	18	8	40	12	43

pump size	number of stages										
	1	2	3	4	5	6	7	8	9	10	
80	e	110	193	276	359	442	525	608	691	774	857



pump size	pump dimensions																					
	DN_s	DN_d	a	b_1	b_2	b_3	d_2	f_1	f_2	h_1	h_2	L_1	L_2	m_1	m_2	s_s	z_s	s_d	z_d	d_1	b_4	t
100	125	100	300	440	370	80	15	360	275	250	300	95	290	$e+140$	75	18	8	18	8	45	12	48

pump size	number of stages								
		1	2	3	4	5	6	7	8
100	e	135	235	335	435	535	635	735	835